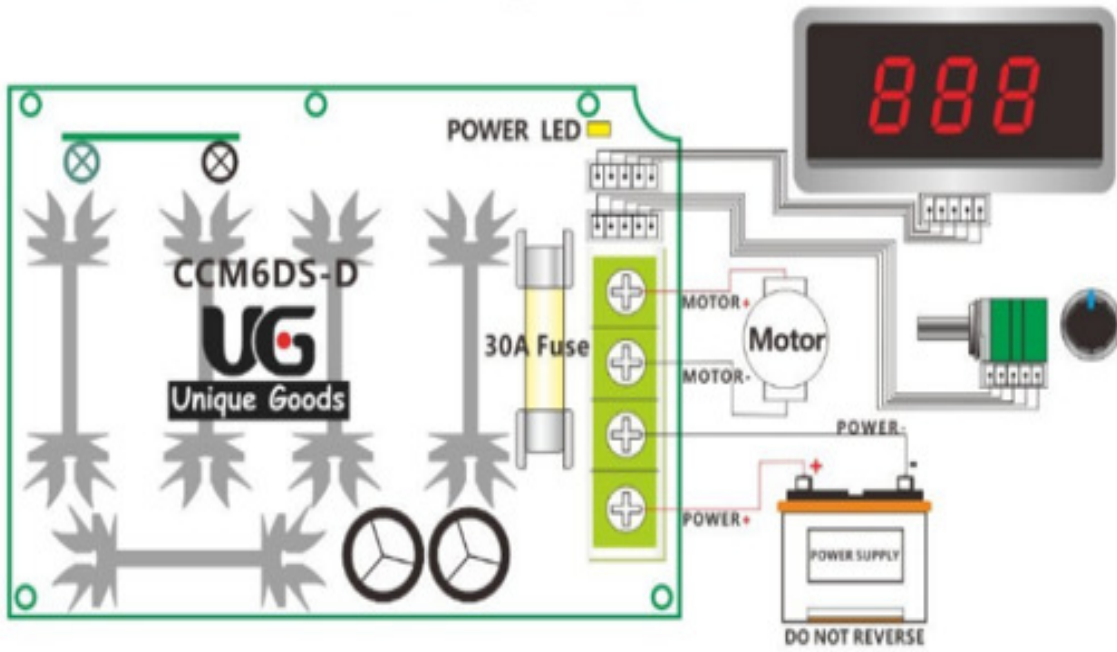
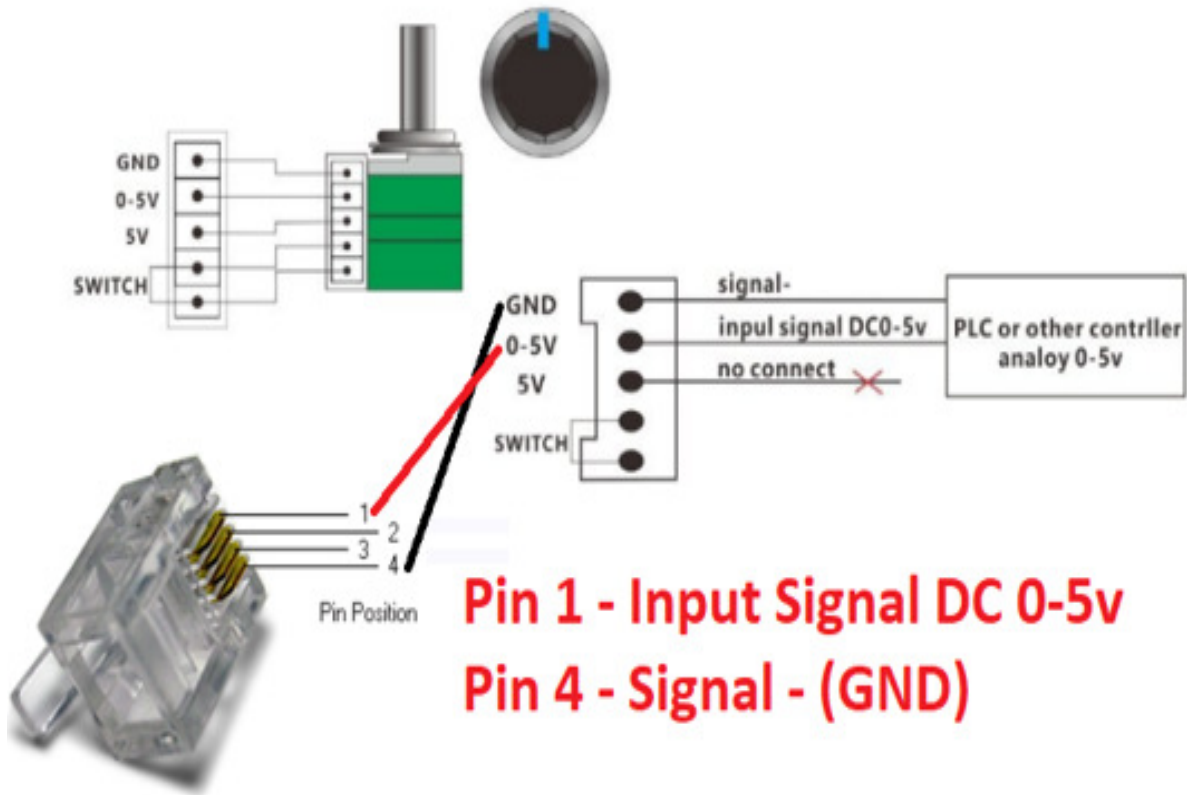


Wiring Diagram



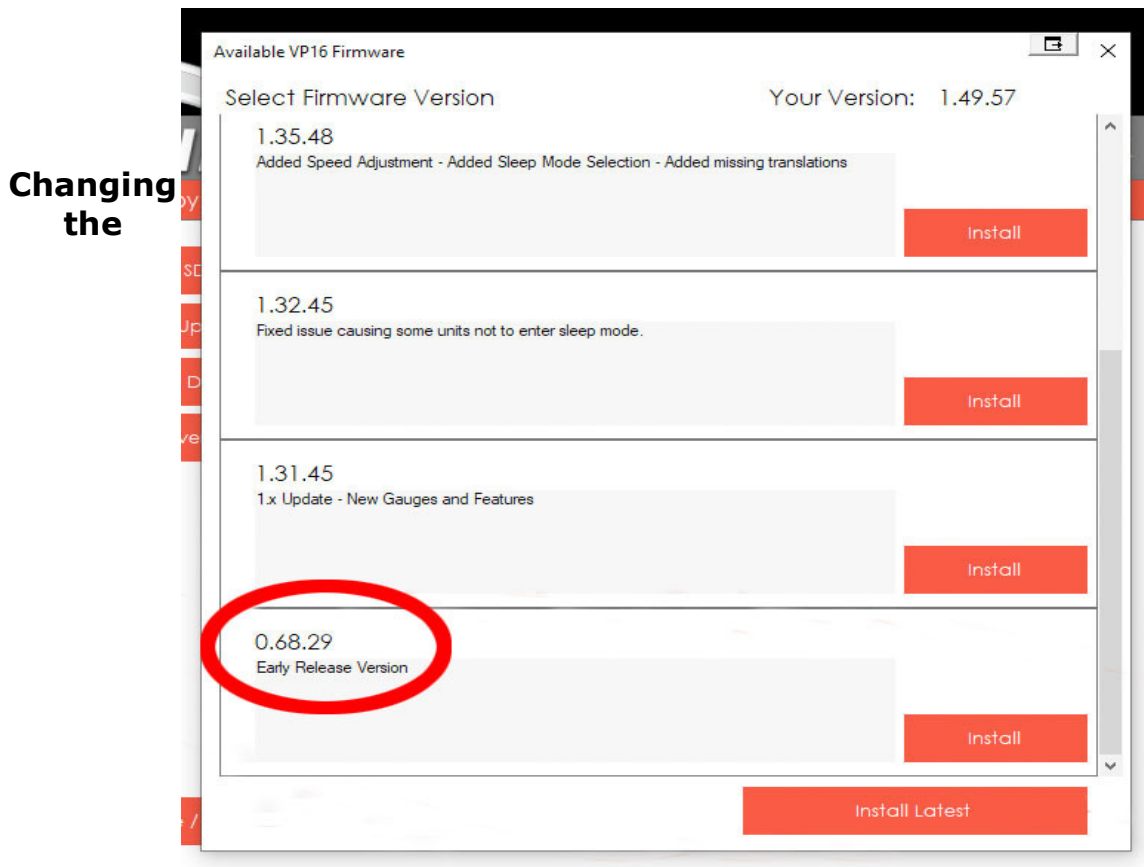
Wiring Diagram 2



Only use_ Firmware VP16 0.68.29 for the PWM section
on VP 16 Touch Screen Menu,

Do not use the newer
firmware versions till we make it public.

Only PWM#1 is hooked up. PWM#2 does nothing, for future update



Frequency on the VP16

If you desire, you can change the frequency manually from 1 hz. up to 150 Hz.
At default setting is 150Hz. We recommend 96 hz or 120 hz.

If you want to change it, put the Micro SD card that came with the VP16 in the
PC, open the SD card, find your Maps folder.

Open that in notepad.

Open your map. (.map is a simple text file with .map tag) #3 should be
"0E00150" , this is the frequency.

With the last 3 being the actual frequency. You can change this, but it must start
with **0E00**, then you can change it to for example 96 Hz by putting "0E00096" or
if you wanted 1 HZ, "0E00001" ,

Save the file, and put SD card back in. Eventually this will be adjustable through
VP16, but never more than 150Hz as that is what we are limited to with the
device at this time.

